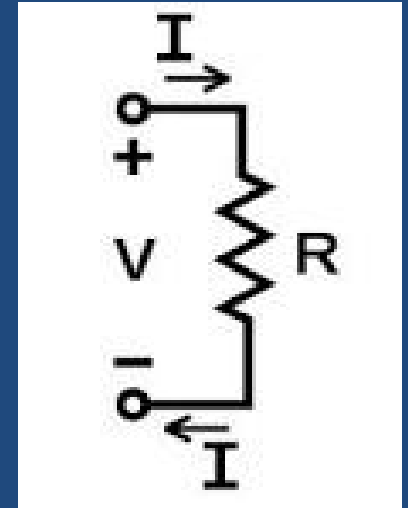




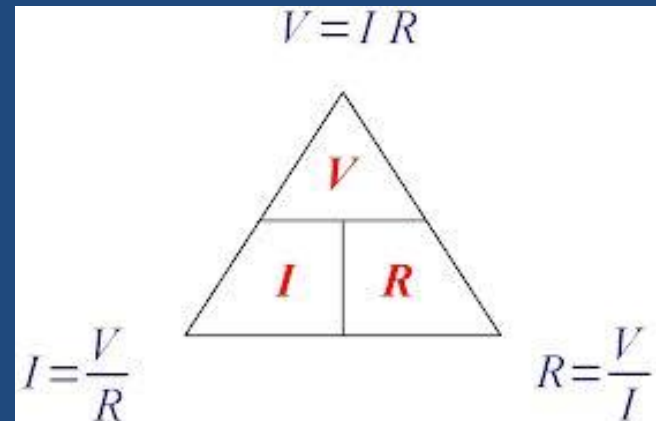
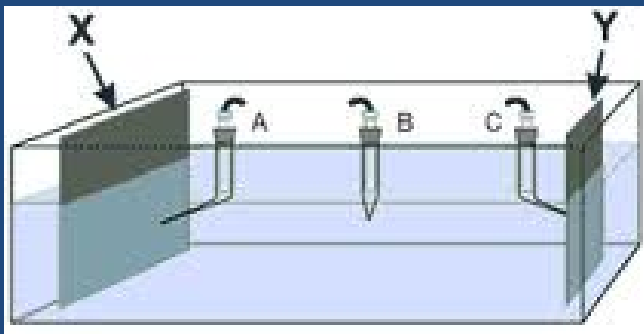
Georg Simon ohm



Skyler D. Grable-Gibson

4/28/2014

Engt 120



George Ohm

- Born in Erlangen Germany
 - March 16th 1789
- Family
 - Johann and Maria
 - Had 7 brother and sister
 - Only 3 survived
- Ambition was to become a scientist

Favorite Inventor

- Had interest in Alessandro Volta's invention of the battery
 - Mainly current electricity



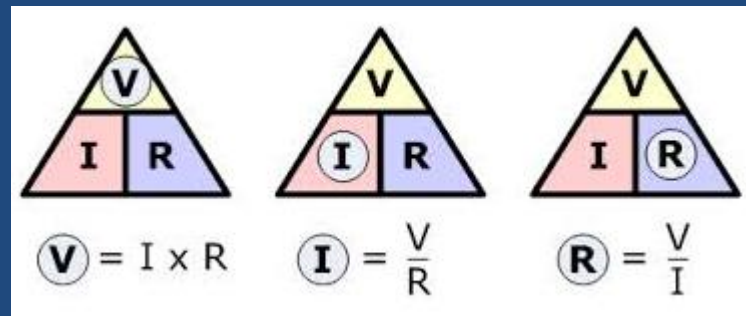
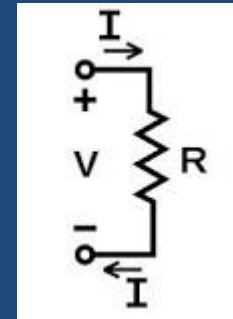
Alessandro Volta was an Italian physicist known for the invention of the battery in the 1800s



More important this man
Georg Simon Ohm

Own Invention

- Ohm's Law: 1826
 - Mathematical relationship among electric current, resistance, and voltage
 - Made his own parts
 - Metal wire
 - Range of thickness and length
- If the given temperature remains constant the current flowing through certain conductors is proportional to the potential voltage across it.



Continued

- Did a lot of experiments and research on the nature of electric circuits
- Accuracy was really important to Ohm!
 - Ohm Discovered
 - Distribution of electromotive force in a electrical circuit
 - Connecting resistance
 - Current strength



How Ohms Lived

- Modest living
- Only cared about learning/ experimenting
- Lived a poverty life
- Received no credit for his finding until he was made director
 - Polytechnic School Nuremburg in 1833

Accomplishment

- Received the Copley Medal



- Fun Facts:
 - Georg Ohm has a crater on the moon named after him

Cause of Death Unknown



